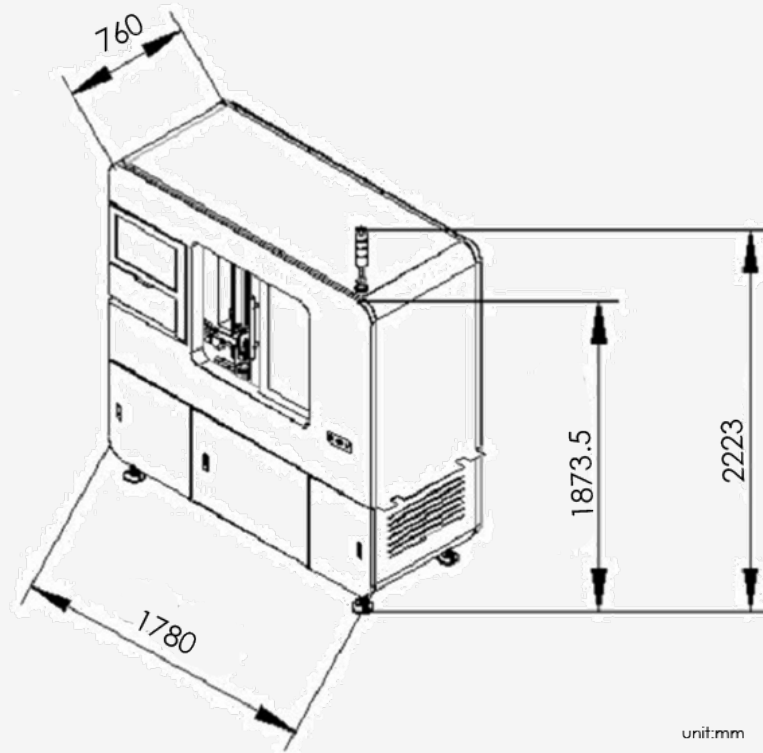


Flying Probe G75



- Mid-level double sided Flying Probe system
- High speed screw driven motion system
- Testing voltage up to 500 Volt
- **Max test size 24,4" x 20,1" / 620 mm x 510 mm**
- Fully automatic camera alignment
- Pneumatic stretch frame
- User friendly, high-speed software specifically made by Gardien
- CE Certificated

PLEASE CONTACT US FOR MORE INFORMATION:

Canada
info.ca@gardien.com
 +1 (416) 292 0726

China
Info.cn@gardien.com
 +86 512 5770 7951

Germany
Info.ge@gardien.com
 +49 6431 929730

Japan
info.jp@gardien.com
 +81 3 3904 6230

Taiwan
Info.tw@gardien.com
 +886 3355 1668

USA
Info.us@gardien.com
 +1 (503) 430 8980

Group
Info.group@gardien.com
 +65 6593 6380

G75 Specification

MECHANICS

No. of test probes	4 (2 front / 2 back) High Speed Z-Axis with soft touch (requires soft touch probes)	
Test probe pressure	2-10 g	
No. of CCD-cameras	2 (1front/1back)- Fully automatic camera alignment for easy and fast compensation of board registration	
Max test area (x/y)	24,4" x 20,1"	620mm x 510mm
Min board size (x/y)	2" x 2"	50mm x 50mm
Max board thickness	235mil	6mm
Min board thickness (standard)	10mil	0,25mm
Repeatable accuracy +/-	0.3mil	7,5µm
Resolution (x/y) +/-	0.3mil	7.5µm
Smallest testable pad size	3mil	75µm
Smallest testable distance/pitch	3mil	75µm
Board Loading option	Stretch Frame	

DIMENSIONS & ENVIRONMENTAL CONDITIONS

Width	70"	1780mm
Depth	29.9"	760mm
Height	73.7"	1874mm (without light)
	87.5"	2223mm (with light)
Weight	1763.7lbs	800kg
Air humidity	45-65% not condensing	
Room Temp.	64° -90°F	18°-32°C
Power supply	230V, 50/60Hz, 1000W Single Phase	
Air supply	6 bar oil free	

ELECTRONICS

Test voltage	20V up to 500V (adjustable)	
Test current	5mA up to 200mA (adjustable)	
Continuity test	2 Ohm up to 2000 Ohm	
Isolation test	5 M Ω up to 500 M Ω	

OPTIONS

Hardware

- › Quick Frame

Features

- › HiPot measurement (500V)
- › Micro Short Detection
- › Multi Image Testing
- › Plug and Play AC8

Software

- › Data preparation software (Certified Ucamco)
- › Verification software (Certified Ucamco)
- › Test floor integration (TFI) capability

SOFTWARE

Operating Software	Windows 10 (English Version)
User Interface	Gardien FPX with multi Language support (Chinese, Japanese, Spanish,)
Data Input formats	MNF1, MNF2, IPC 356A/B, EMMA
Test Floor Integration	IT based communication and data exchange between Universal Grid, Flying Probe and Verification SW